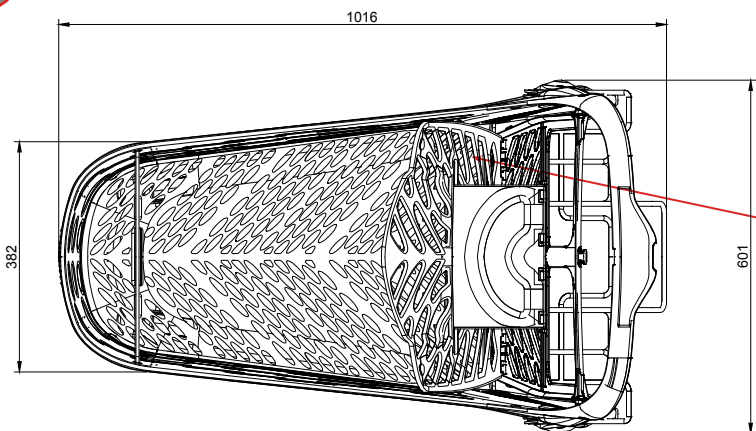


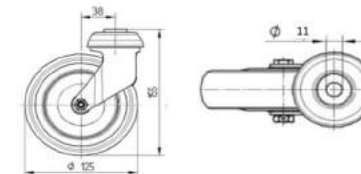
C*



B*

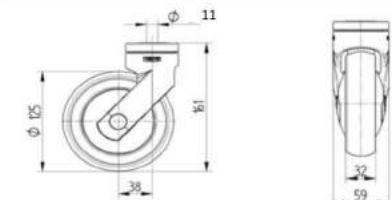
STANDARD CASTOR

Ø 125 MM TENTE 2370PIP125P30-11



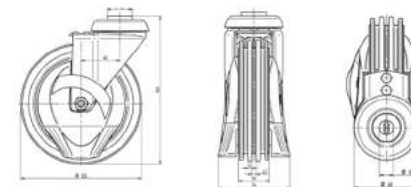
SYNTHETIC CASTOR

Ø 125 MM TENTE 5370JP125P30-11



TRAVELATOR CASTOR

Ø 125 MM TENTE 2875QMP125P30-11



TYPE

***RAW MATERIAL**

WEIGHT

SAMBA

A = PP 15% GF (Polipropylene)
B = PA 15% GF (Polyamide)
C = Steel Frame Zinc Coated
+ Powder Painted RAL 9007

kg
16,0

SAMBA
EKO

A = PP 15% GF (Polipropylene 100% Recyclated)
B = PA 15% GF (Polyamide)
C = Steel Frame Zinc Coated
+ Powder Painted RAL 9007

kg
16,0

SAMBA
GLAMOUR

A = PC Trasparent (Polycarbonate)
B = PA 15% GF (Polyamide)
C = Steel Frame Zinc Coated
+ Powder Painted RAL 9007

kg
17,0